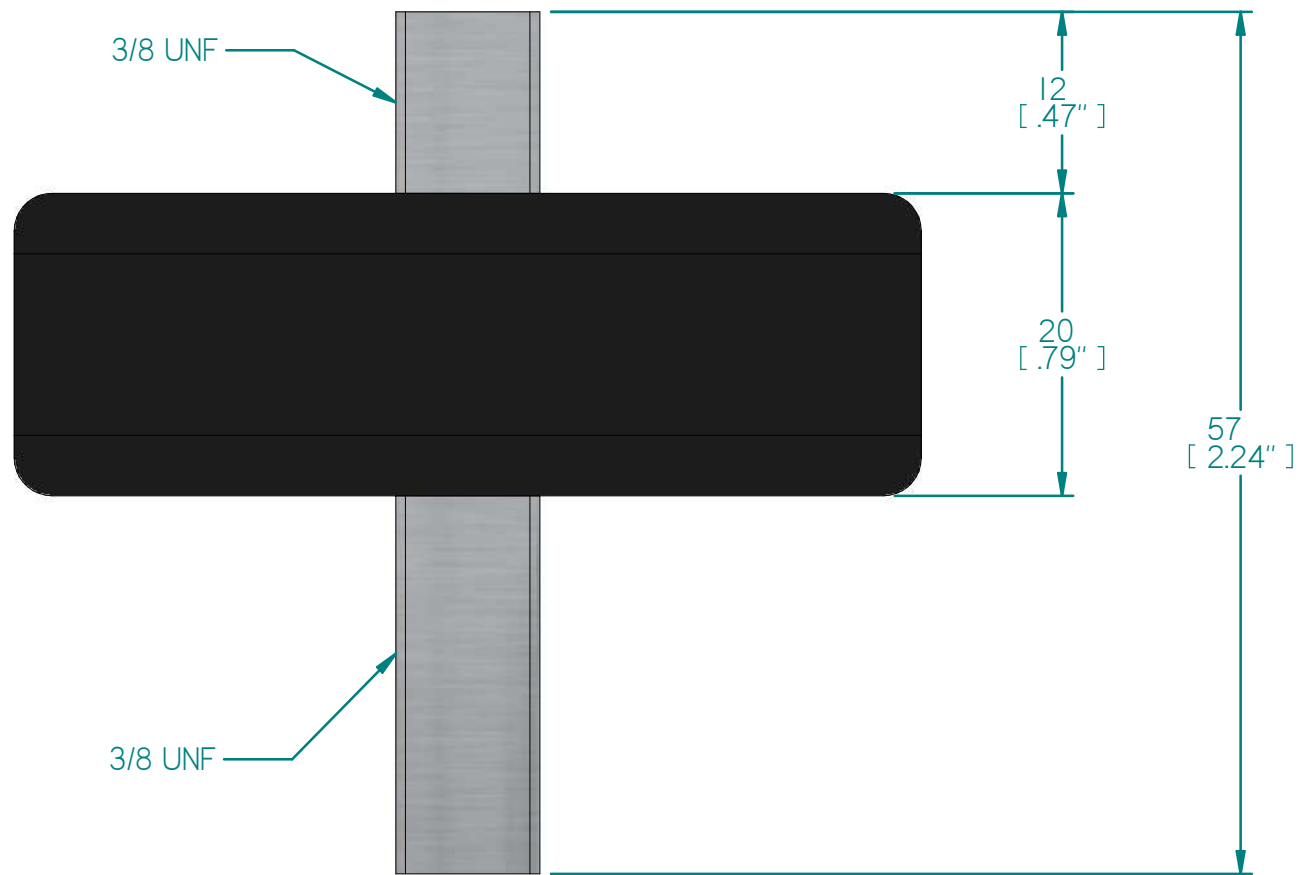
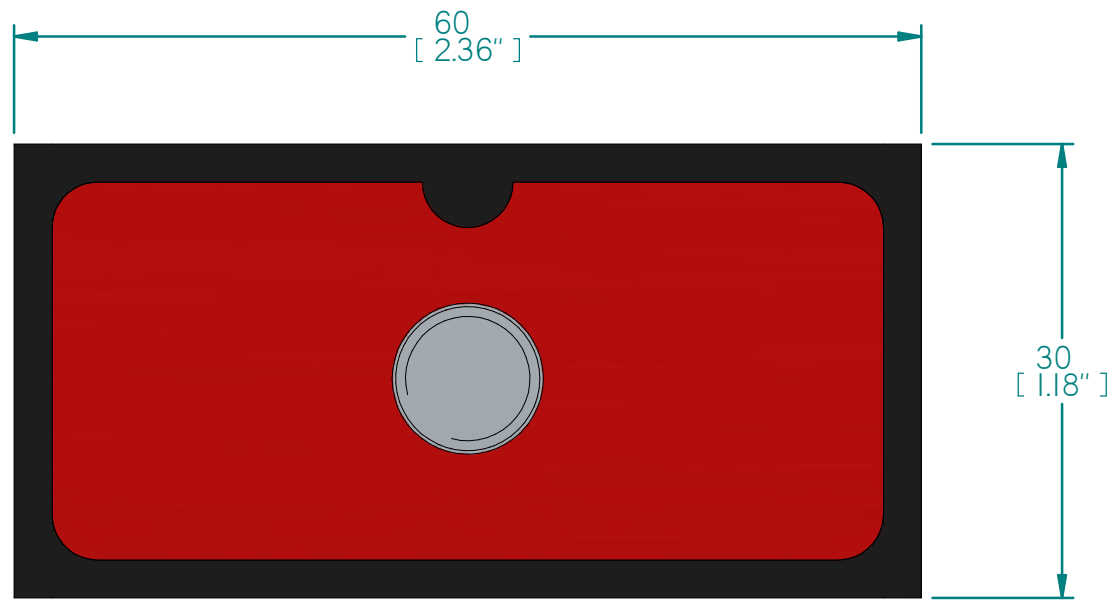


©COPYRIGHT VULCANITE PTY LTD. ALL RIGHTS RESERVED. DRAWING PROVIDED FOR INFORMATION PURPOSES ONLY. VULCANITE RESERVES THE RIGHT TO CHANGE DIMENSIONS AND/OR SPECIFICATION AT ANY TIME.



FOR SPECIFICATION REFER TO VULCANITE.COM.AU	AS 1100.201-1992		UNLESS OTHERWISE SPECIFIED, TOLERANCE ON ALL DIMENSION OF LENGTH AND ANGLE ON RUBBER ARE TO CLASS M3 OF STANDARD ISO 3302-1: 1996 AND ON METAL ARE TO AS 1100.201-1992 AND ASI365-1986	ISO 3302-1: 1996 CLASS M3				ELASTOMER SPEC:	NATURAL RUBBER	ALL DIMENSIONS ARE IN MILLIMETRES WITH INCHES SHOWN INSIDE []		 Excellence in engineered rubber solutions.	 VULCANITE PTY LTD ABN: 62 000 053 089
	0 - 6	±0.1		RANGE	SPEC	25 - 40	±0.60	METAL SPEC:	250 GRADE	NOT TO SCALE			
	6 - 30	±0.2		0 - 63	±0.25	40 - 63	±0.80	FINISH:	MATT BLACK PAINT / RUST VETO	SIZE:	THIRD ANGLE PROJECTION	TITLE:	60 x 30 x 20 DRUM MOUNT
	30 - 120	±0.3		63 - 10	±0.30	63 - 100	±1.00	WEIGHT:	0.11 [0.24 lbs]	A3		SUB-TITLE:	
	120 - 400	±0.5		10 - 16	±0.40	100 - 160	±1.30					DWG No:	VP3724
400 - 1000	±0.8	16 - 25	±0.50	160 -	±0.8%								