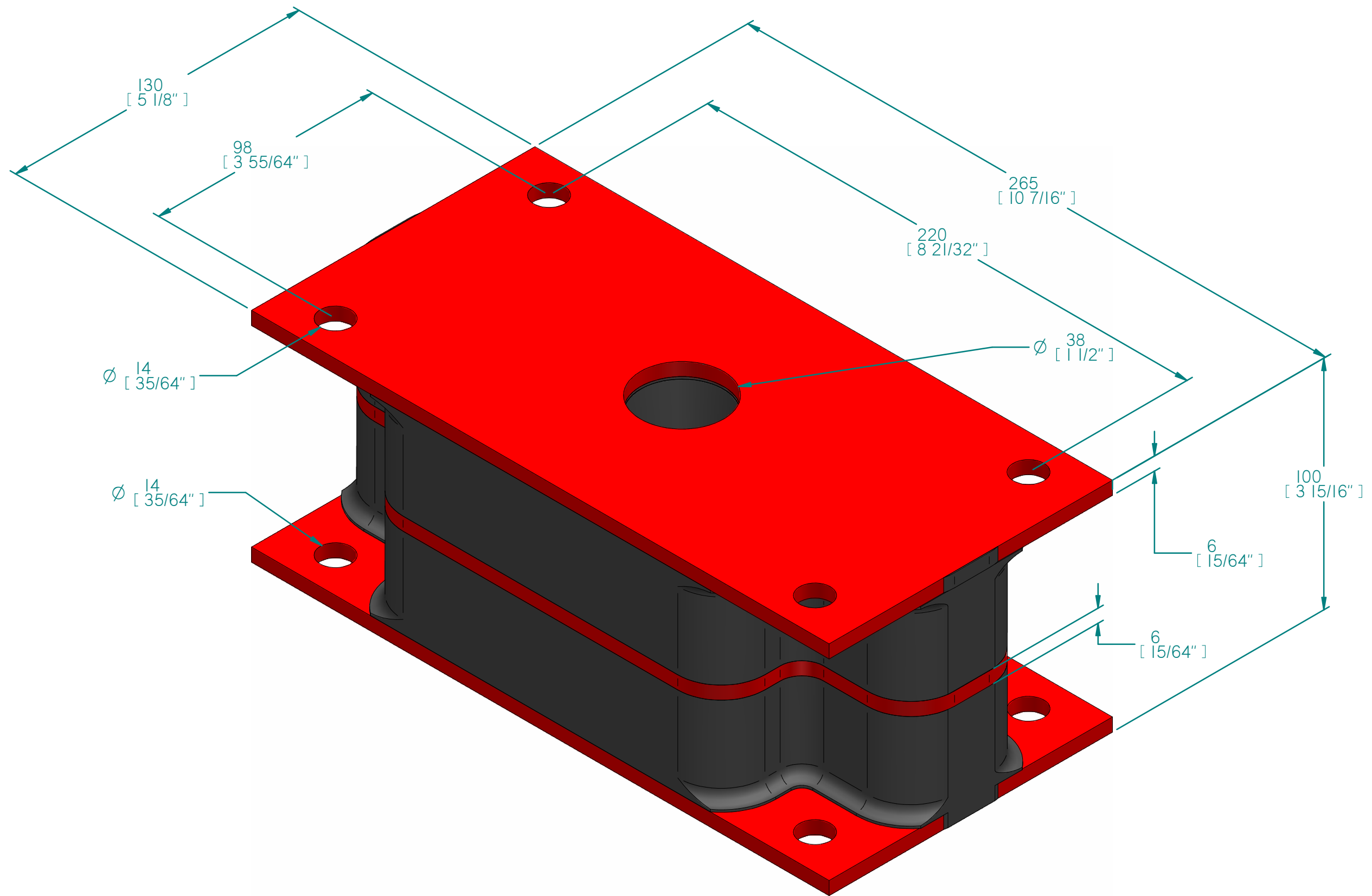


© COPYRIGHT VULCANITE PTY LTD. ALL RIGHTS RESERVED. DRAWING PROVIDED FOR INFORMATION PURPOSES ONLY. VULCANITE RESERVES THE RIGHT TO CHANGE DIMENSIONS AND/OR SPECIFICATION AT ANY TIME.



FOR SPECIFICATION
REFER TO
VULCANITE.COM.AU

| AS 1100.201-1992 | |
|------------------|------|
| 0 - 6 | ±0.1 |
| 6 - 30 | ±0.2 |
| 30 - 120 | ±0.3 |
| 120 - 400 | ±0.5 |
| 400 - 1000 | ±0.8 |

UNLESS OTHERWISE SPECIFIED, TOLERANCE ON ALL DIMENSION OF LENGTH AND ANGLE ON RUBBER ARE TO CLASS M3 OF STANDARD ISO 3302-1: 1996 AND ON METAL ARE TO AS 1100.201-1992 AND ASI365-1986

| ISO 3302-1: 1996 CLASS M3 | | | |
|---------------------------|-------|-----------|-------|
| RANGE | SPEC | 25 - 40 | ±0.60 |
| 0 - 6.3 | ±0.25 | 40 - 63 | ±0.80 |
| 6.3 - 10 | ±0.30 | 63 - 100 | ±1.00 |
| 10 - 16 | ±0.40 | 100 - 160 | ±1.30 |
| 16 - 25 | ±0.50 | 160 - | ±0.8% |

| | |
|-----------------|----------------|
| ELASTOMER SPEC: | NATURAL RUBBER |
| METAL SPEC: | 250 GRADE |
| FINISH: | |
| WEIGHT: | |

| | |
|--|----|
| ALL DIMENSIONS ARE IN MILLIMETRES WITH INCHES SHOWN INSIDE [] | |
| NOT TO SCALE | |
| SIZE: | A3 |
| THIRD ANGLE PROJECTION | |

| | | | |
|---|--|---|--|
|  Excellence in engineered rubber solutions. | | TITLE: RECTANGULAR ELASTOMER WITH INTERMEDIATE PLATE | |
| | | SUB-TITLE: VP2650 | |



VULCANITE PTY LTD
A/NZ 62 000 055 008