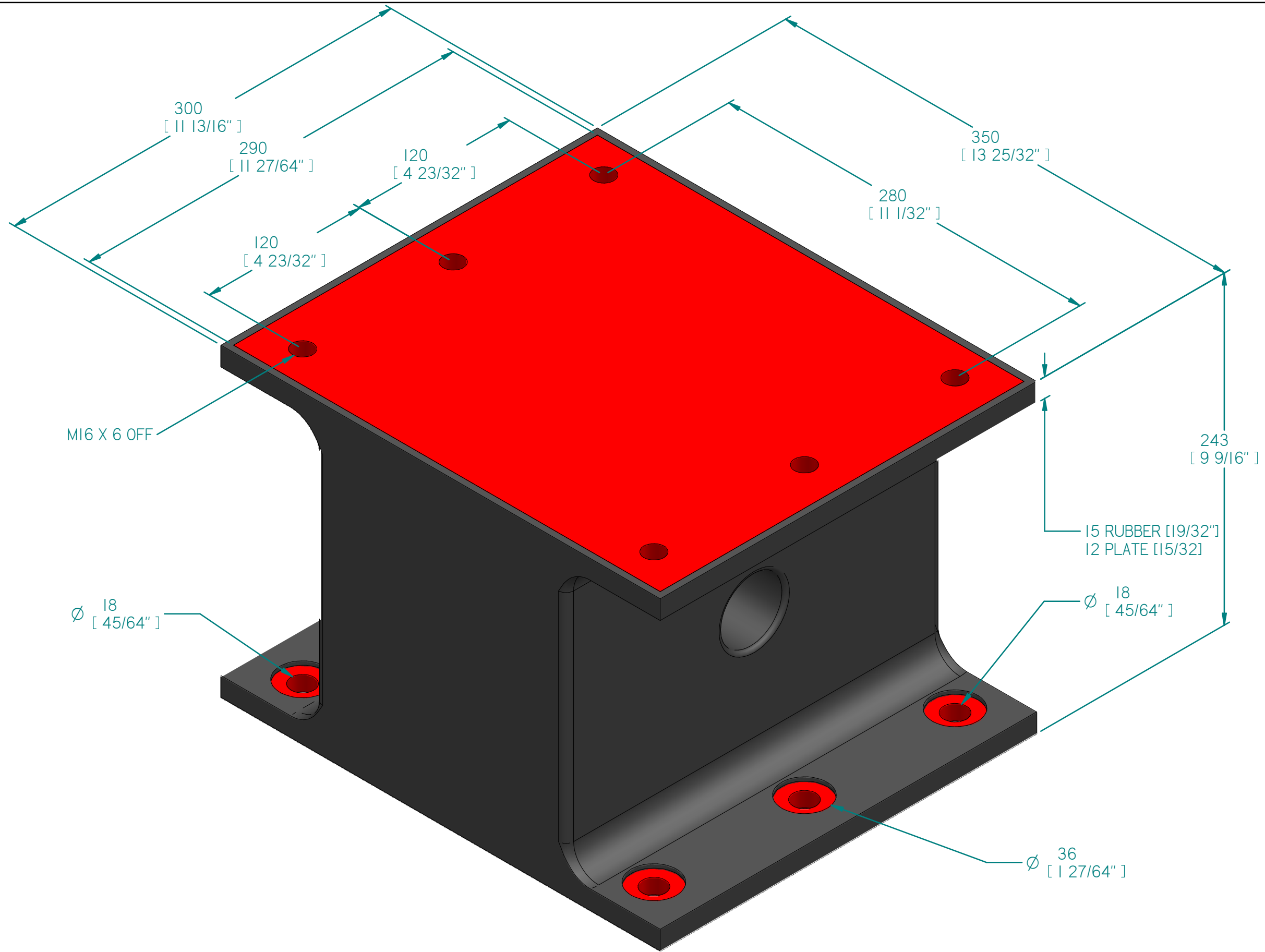


© COPYRIGHT VULCANITE PTY LTD. ALL RIGHTS RESERVED. DRAWING PROVIDED FOR INFORMATION PURPOSES ONLY. VULCANITE RESERVES THE RIGHT TO CHANGE DIMENSIONS AND/OR SPECIFICATION AT ANY TIME.



FOR SPECIFICATION REFER TO VULCANITE.COM.AU	AS 1100.201-1992	
	0 - 6	±0.1
	6 - 30	±0.2
	30 - 120	±0.3
	120 - 400	±0.5
	400 - 1000	±0.8

UNLESS OTHERWISE SPECIFIED, TOLERANCE ON ALL DIMENSION OF LENGTH AND ANGLE ON RUBBER ARE TO CLASS M3 OF STANDARD ISO 3302-1: 1996 AND ON METAL ARE TO AS 1100.201-1992 AND ASI365-1986

RANGE	SPEC	25 - 40	±0.60
0 - 6.3	±0.25	40 - 63	±0.80
6.3 - 10	±0.30	63 - 100	±1.00
10 - 16	±0.40	100 - 160	±1.30
16 - 25	±0.50	160 -	±0.8%

MATERIAL	NATURAL RUBBER
METAL SPEC.	250 GRADE
FINISH	MATT BLACK ENAMEL
WEIGHT:	33.8

WITH INCHES SHOWN INSIDE □
NOT TO SCALE
SIZE: A3
THIRD ANGLE PROJECTION



Excellence in engineered rubber solutions.



TITLE: MID SIZE (LARGE HOLE) ELASTOMER	DWG No: VP2374
SUB-TITLE:	